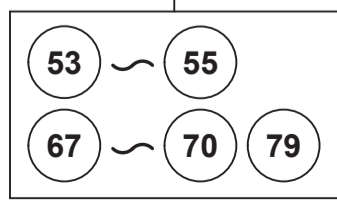
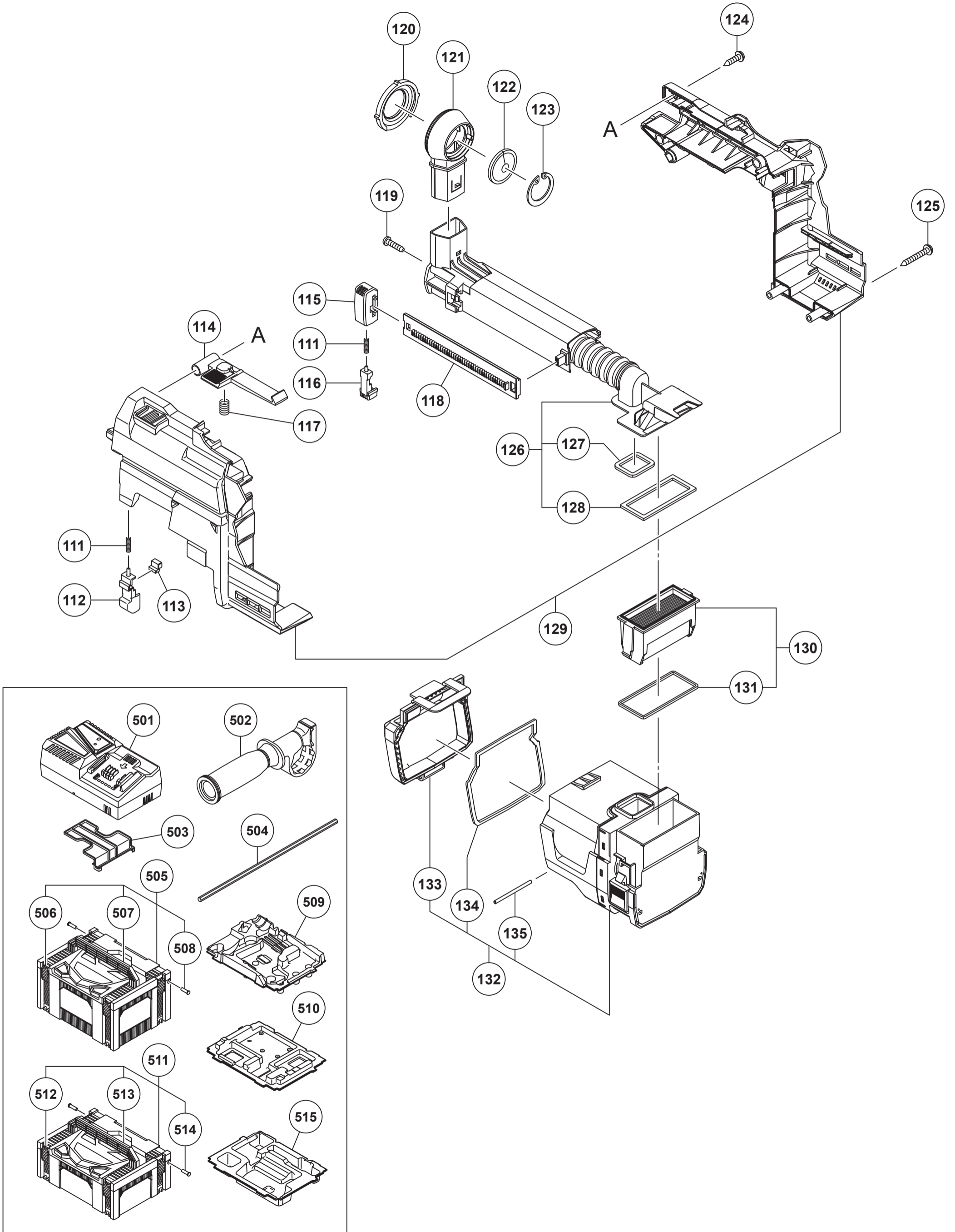


A

A



MODEL
DH1826DC(1/2)



HIKOKI

CORDLESS ROTARY HAMMER DH1826DC

Item No.	Code No.	Description	No. Used	Remarks
1	377959	CHUCK HOLDER ASS'Y	1	INCLUD.2-11
2	995344	FLAT HD. SCREW (A) (LEFT HAND) M6X25	1	
3	335961	DRILL CHUCK 13VLRU-N (W/O CHUCK WRENCH)	1	
4	326527	STOPPER	1	
5	965469	RETAINING RING FOR D25 SHAFT	2	
6	326520	WASHER (B)	2	
7	326519	SPRING	2	
8	375013	LOCK GRIP	2	
9	326801	LOCK RING	2	
10	375011	CHUCK HOLDER (A)	1	
11	335300	STEEL BALL D7.0 (10 PCS.)	5	
12	379084	TAPPING SCREW (W/FLANGE) D5 (BLACK)	4	
13		NAME PLATE	1	
14	335259	OIL SEAL	1	
15	6805BB	BALL BEARING 6805	1	
16	375010	BIT HOLDER (A) ASS'Y	1	INCLUD.5-9,11,17,24
17	375363	GRIP SET	1	INCLUD.11(1 PC.),18-23
18	306345	FRONT CAP	1	
19	306340	STOPPER RING	1	
20	374436	GRIP	1	
21	374437	BALL HOLDER	1	
22	374435	HOLDER PLATE	1	
23	322812	HOLDER SPRING	1	
24	375009	BIT HOLDER (A)	1	
25	322789	PUSHING BUTTON	1	
26	317223	PUSHING SPRING	1	
27	334011	CHANGE LEVER	1	
28	878885	O-RING (S-18)	1	
29	379089	GEAR COVER ASS'Y	1	INCLUD.31
30	335800	SPRING (E)	1	
31	608VVM	BALL BEARING 608VVC2PS2L	1	
32	374422	SHAFT HOLDER (B)	1	
33	375007	CYLINDER	1	
34	335265	SECOND GEAR	1	
35	374430	SPRING (B)	1	
36	301679	WASHER (A)	2	
37	948310	RETAINING RING FOR D30 SHAFT	1	
38	335262	OIL SEAL (A)	1	
39	375014	HAMMER HOLDER (D)	1	
40	375008	SECONDE HAMMER	1	
41	374429	HAMMER HOLDER (A)	1	
42	322805	DAMPER (A)	1	
43	322808	O-RING (C)	1	
44	324524	DAMPER HOLDER	1	
45	322807	STOPPER RING	1	
46	374443	STRIKER	1	
47	372816	O-RING	1	
48	372817	PISTON	1	
49	335794	PISTON WASHER	2	
50	990079	SEAL LOCK HEX. SOCKET HD. BOLT M5X16	4	
51	379079	INNER COVER (B)	1	
52	370310	O-RING	1	
53	379947	SUPPORT (B)	2	

* ALTERNATIVE PARTS

HIKOKI

CORDLESS ROTARY HAMMER DH1826DC

Item No.	Code No.	Description	No. Used	Remarks
54	379088	INNER COVER (A)	1	
55	877839	SEAL LOCK HEX. SOCKET HD. BOLT M5X10	2	
56	334008	AIR CAP	1	
57	324543	FELT PACKING (A)	1	
58	335793	PISTON PIN	1	
59	335249	RECIPROCATING BEARING	1	
60	379930	BEARING WASHER	1	
61	370312	BEARING HOLDER (B)	1	
62	608VVM	BALL BEARING 608VVC2PS2L	1	
63	379082	BEARING COVER (A)	1	
64	379083	BEVEL GEAR	1	
65	379068	SHUTTER	1	
66	379069	SHUTTER SPRING	2	
67	379946	DUST WASHER	1	
68	370315	FELT PACKING	1	
69	379078	PACKING WASHER	1	
70	872470	O-RING (S-26)	1	
71	374434	LOCK PLATE	1	
72	374440	SECOND PINION	1	
73	323182	CLUTCH SPRING	1	
74	375022	CLUTCH	1	
75	331315	WASHER	1	
76	374439	CHANGE PLATE (C)	1	
77	379080	SECOND SHAFT	1	
78	379087	HOUSING (A).(B) SET	1	INCLUD.53
79	361188	ROTOR (A)	1	
80	341155	WIRING ASS'Y (A)	1	INCLUD.81,88
81	379957	SUPPORT (B)	1	
82	306664	TAPPING SCREW (W/FLANGE) D4X40 (BLACK)	3	
83	379138	HOUSING PLATE	1	
84	379074	HANDLE SPRING	1	
85	379137	HANDLE PLATE	1	
86	301653	TAPPING SCREW (W/FLANGE) D4X20 (BLACK)	12	
87	324225	PUSHING BUTTON (B)	1	
88	379067	SPEED CONTROL SWITCH	1	
89	379071	HANDLE (A).(B) ASS'Y	1	INCLUD.90
90	379072	HANDLE GUIDE	2	
91	379076	HANDLE WASHER	2	
92	379075	HANDLE COLLAR	2	
93	379073	HANDLE DAMPER	2	
94	379929	HANDLE COVER	1	
95	373521	BATTERY RUBBER (B)	1	
*96	378683	BATTERY BSL 1850MA (EUROPE,AUS,NZL)	2	INCLUD.503
97	379943	INNER COVER ASS'Y (A)	1	INCLUD.53-55,67-70,79
111	370502	SPRING (A)	2	
112	370509	BUTTON (B)	1	
113	370510	STOPPER	1	
114	379710	LATCH (HG)	1	
115	370501	ADJUSTER	1	
116	370838	BUTTON (A) SET	1	
117	379711	LATCH SPRING	1	
118	379712	ADJUSTMENT RAIL	1	
119	370500	TAPPING SCREW D2.6	4	

* ALTERNATIVE PARTS

HIKOKI

CORDLESS ROTARY HAMMER DH1826DC

Item No.	Code No.	Description	No. Used	Remarks
120	377175	NOZZLE SEAL	1	
121	370495	NOZZLE	1	
122	370496	BRUSH CAP	1	
123	370497	RETAINING RING D35	1	
124	307811	TAPPING SCREW (W/FLANGE) D4X16 (BLACK)	3	
125	306664	TAPPING SCREW (W/FLANGE) D4X40 (BLACK)	2	
126	380053	SLIDE PIPE ASS'Y	1	INCLUD.127,128
127	379719	PACKING (A)	1	
128	379720	PACKING (B)	1	
129	379709	DUST HOUSING (A).(B) SET	1	
130	379717	FILTER ASS'Y	1	INCLUD.131
131	379716	FILTER PACKING (5 PCS.)	1	
132	379714	DUST BOX ASS'Y	1	INCLUD.133-135
133	379713	CYCLONE BOX COVER	1	
134	379715	CYCLONE PACKING	1	
135	376774	PIN D3X50	1	
		STANDARD ACCESSORIES		
501		CHARGER (MODEL UC 18YFSL)	1	
502	374447	SIDE HANDLE	1	
503	329897	BATTERY COVER	1	
504	303709	DEPTH GAUGE	1	
*505	337108	CASE ASS'Y (STACKABLE 3)	1	INCLUD.506-508 FOR W/BATTERY AND CHARGER
506	336472	LATCH	4	
507	336473	HANDLE	1	
508	336474	HINGE	2	
*509	379786	INNER TRAY	1	FOR MAIN UNIT
*510	379787	INNER TRAY	1	FOR BATTERY AND CHARGER
*511	402539	SYSTEM CASE 2	1	INCLUD.512-514 FOR MAIN UNIT ONLY
*511	402539	SYSTEM CASE 2	1	INCLUD.512-514 FOR DUST EXTRACTION UNIT
512	336472	LATCH	4	
513	336473	HANDLE	1	
514	336474	HINGE	2	
*515	379788	INNER TRAY	1	FOR DUST EXTRACTION UNIT
		OPTIONAL ACCESSORIES		
601	379139	DUST EXTRACTION UNIT (IN CARTON BOX)	1	
602	379140	DUST EXTRACTION UNIT (IN STACKABLE CASE)	1	
603	303332	HAMMER DRILL CHUCK SET 13MM	1	INCLUD.604,605
604	303334	CHUCK HANDLE	1	
605	303335	RUBBER CAP	1	
606	321825	DRILL CHUCK AND ADAPTER SET	1	INCLUD.607,608
607	303623	CHUCK ADAPTER (G) (SDS PLUS)	1	
608	321814	DRILL CHUCK 13VLRB-D	1	INCLUD.609,610
609	331966	FLAT HD. SCREW (LEFT HAND) M6X20	1	
610	303334	CHUCK HANDLE	1	
611	321813	DRILL CHUCK 13VLD-D	1	INCLUD.604
612	971787	DUST CUP	1	
613	931844	STOPPER	1	
614	971511Z	+ DRIVER BIT (A) NO.2 25L	1	
615	971512Z	+ DRIVER BIT (A) NO.3 25L	1	
616	306885	DUST COLLECTOR (B) ASS'Y	1	INCLUD.617
617	306910	SOCKET ADAPTER (B)	1	
*618	378024	DUST COLLECTION ADAPTER SET (B)	1	FOR EUROPE
*619	378055	DUST COLLECTION CUP ASS'Y	1	FOR EUROPE

* ALTERNATIVE PARTS

